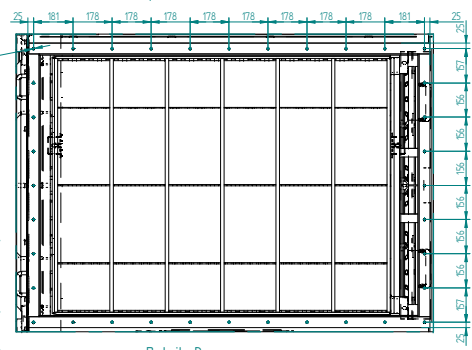
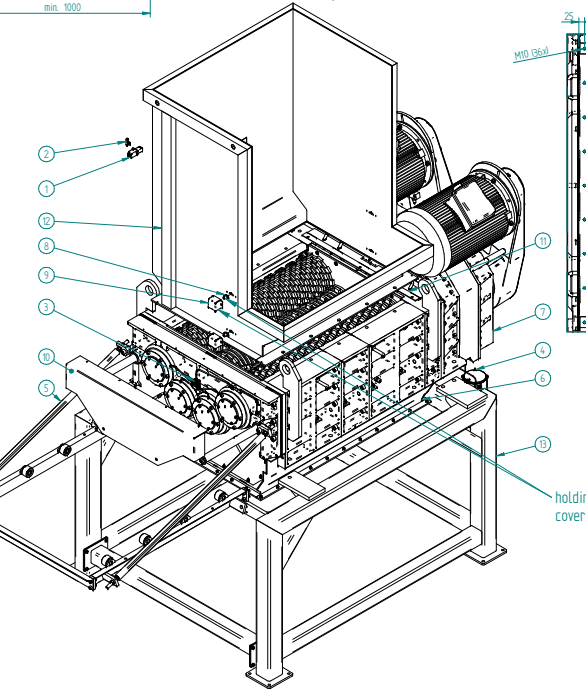
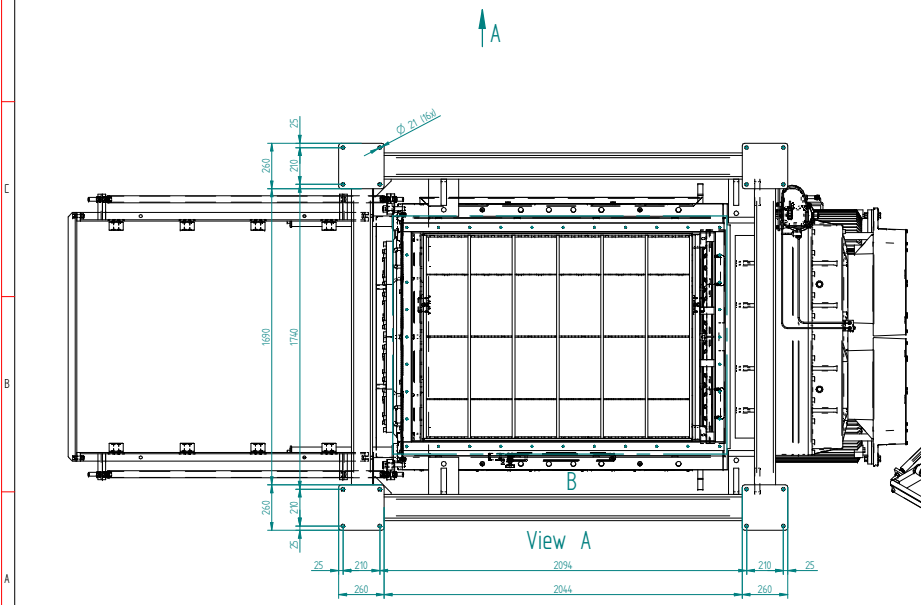


DETAIL D
Connection dimension
holding device light barrier
boreholes are drilled by customer



Detail B
Connection dimension chute
1:12

fill in- and dropping opening
have to be safeguarded
by the part of the building
site according to
the safety regulations!

--- minimum distance for maintenance

No.	Part Name	Qty.	Article No.	Variant	Standard	Comment
13	Supporting frame RS100-1500	1	10624200			
12	Support RS100-1500	1	10618200			
11	Lower cover 1200x600x11	1	11706200			
10	Lower RS1000	1	11706300			
9	Lower 1200x600	4	11706800			
8	Holding device light barrier 0"	4	11701800			
7	Discharge RS100-1500-120	1	81010100	00	1	
6	Chute RS100-1500	1	11701100	01	0	
5	Grate discharge system RS100	1	80012200			
4	Upper cover 1200x600	1	80000000			
3	Upper cover 1200x600	1	80012400	00	0	with switch key 1P 161W7
2		1				with switch 1200x600
1		1				
100	Part Name	Qty.	Article No.	Variant	Standard	Comment

UNTHA
Handling technology

Plant Name: plant RS100-1500

Attention	Site	Name	Material	Pre-fabricated	Site	Name	Alt.No.
drawn	01.06.17	TK/ANDREW					

Scale	Format	Temp. Status	Link (to 2746-12)	Document Number	Weight	Project/Order No.	Page
M 1:15	A1			0000151950ABM			1/1