

UNTHA

shredding technology

The reliable brand!

RS SERIES



RS30, RS40

A TRADITION OF RELIABILITY

The reliable and rugged RS30 and RS40 shredders were developed for a wide range of applications and have a proven track record for decades. These compact machines can stand alone or be integrated into comprehensive systems.

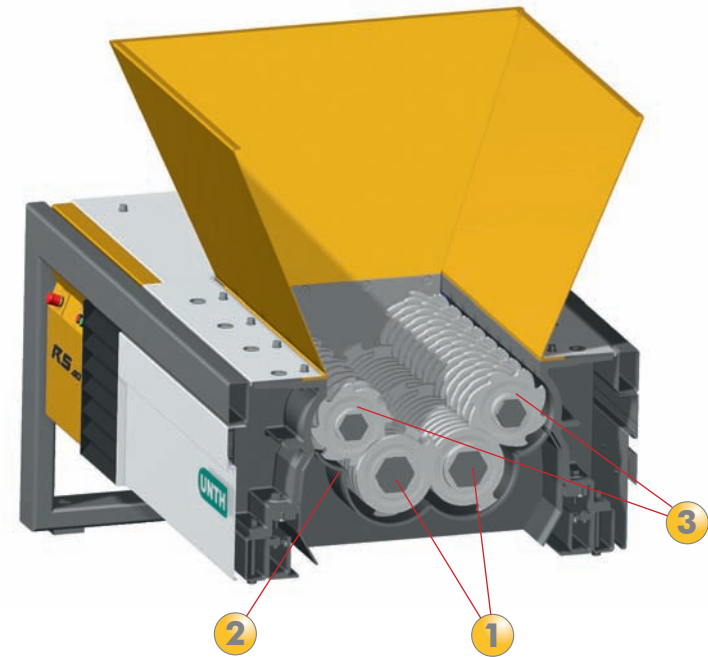
Functional design, high availability and consistent throughput are all hallmarks of these tough and dependable machines.

For more information please refer to the brochure "Individual Shredding Solutions"



FUNCTION AND DESIGN

Material is drawn into the main cutters (1) and both pre-shredded and re-shredded in a single pass. Material that doesn't pass through the screen (2) is transferred to the secondary cutters (3). The secondary cutters then transport the material back into the cutting chamber for re-shredding. The final product: precisely defined, homogeneous particles.



TYPICAL APPLICATIONS

- Files and folders • Dashboards • Interior auto trim • Bank notes • Organic waste • CDs • Plastic film • Green waste
- Waste rubber • Wood waste • Cardboard packaging • Cardboard tubes • Plastic drums • Plastic packaging • Leather
- Metal chips • Oil filters • Paper • Plastic bottles • Production waste • Foamed boards • Punching scrap • Bumpers
- Tetra pack • Textiles • Transformer coils • Packaging material • etc.

QUALITY FEATURES

High availability

- Integrated electronic shut-down for unshreddable items
- Resistant to foreign material due to low speed cutting shafts
- Integrated central lubrication system (A)
- Maintenance-free mechanical seals (B) prevent dirt and dust from entering into gears and bearings
- Electric oil level monitoring
- Easily replaceable wear plates (C)
- Straight forward design (no hydraulics, couplings, etc.) ensures reliable operation
- Cutting disks with integral collar (no separate spacers) distributes cutting force over wide area

Operational advantages

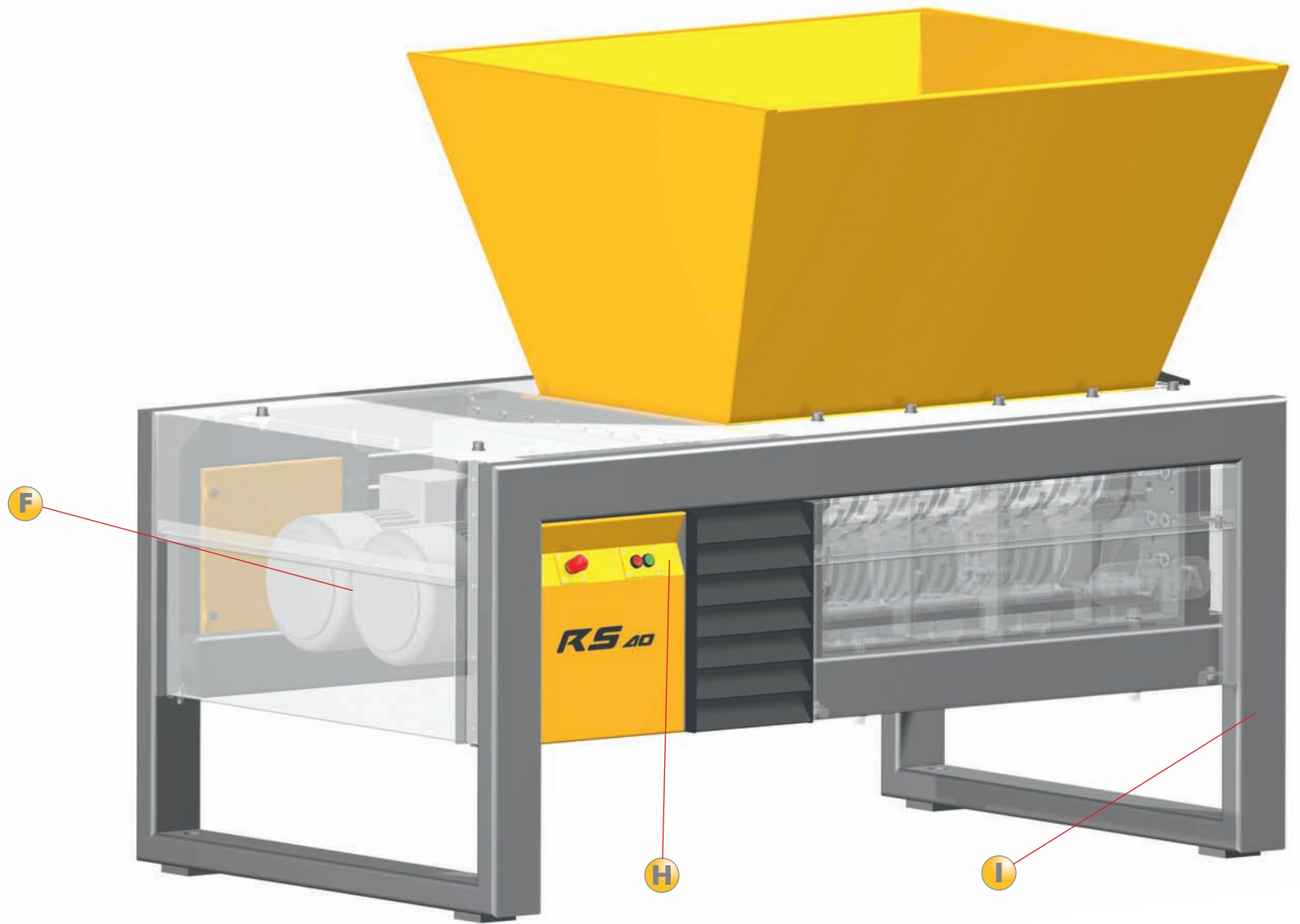
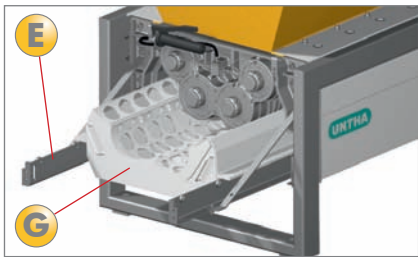
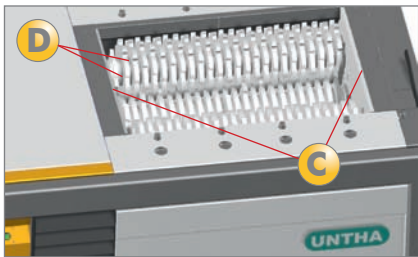
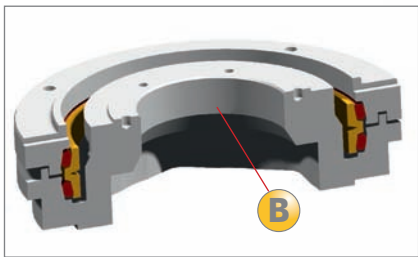
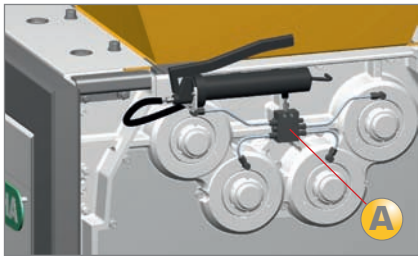
- Quick change screen system (E)
- Reliable tooth belt drive (E) with two independent motors and rugged, heavy-duty gears (F)
- Unique anti jam screen design (G) with bevelled sides
- Consistent final particle size
- One step pre- and re-shredding
- Self feeding for most materials – no ram required
- Low noise and dust generation

Functional design

- Operational controls (H) directly at the machine with integrated emergency stop
- New enclosure design protects all components from dirt and dust
- Sectional tubular steel frame (I) resists warping
- Compact design integrates into complex installations without difficulty
- Universal discharge flange easily interfaces with downstream components
- Can be loaded from all sides
- Very large screen area ensures high throughput
- High torque drive easily handles tough materials
- Standard cutting chamber wear plates

Options

- Hydraulic ram for bulky materials
- Variable frequency drive (VFD) speed control for adjustable throughput and reduction of start-up peaks
- Screw conveyor for efficient discharge of shredded material
- Automatic central lubrication system
- “UNTHA Carefree package”



RS SERIES

Four-shaft shredding system

| TECHNICAL DATA | | RS30 | RS40 |
|------------------------|-----|--------------|-------------------------|
| Driving power | kW | 11 / 15 / 22 | 30 / 37 / 44 |
| Charging hole | mm | 450 x 600 | 750 x 700 / 1,000 x 700 |
| No. of cutting shafts | | 4 | 4 |
| Speed main shafts | rpm | 23 | 24 |
| Speed secondary shafts | rpm | 34 | 32 |
| Ø Perforated screen | mm | 15 - 40 | 15 - 40 |
| Weight | kg | ca. 2,000 | ca. 3,300 / 3,600 |

All dimensions in mm.

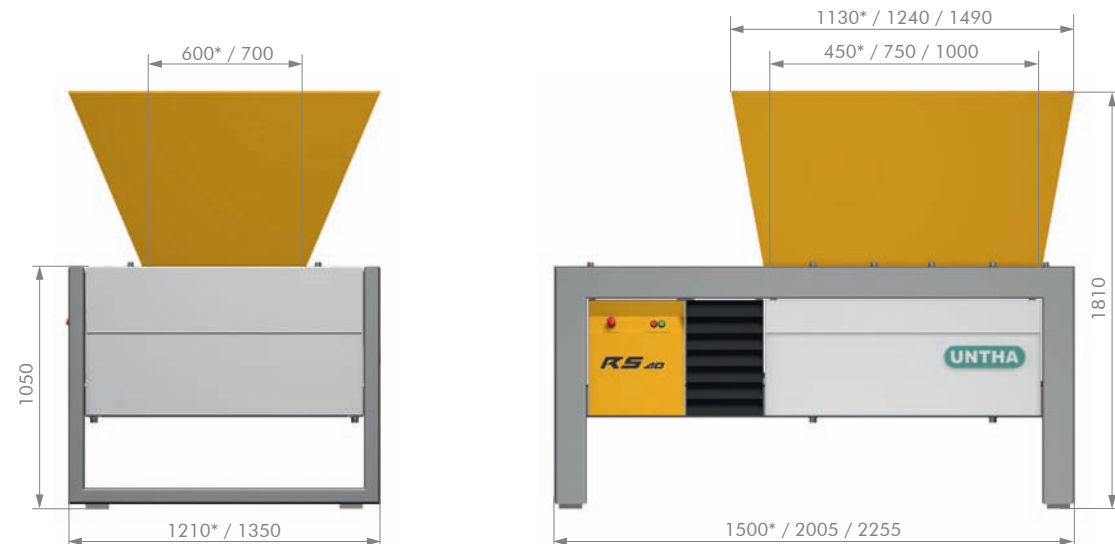
Options

- Hydraulic ram device (a) for better intake of bulky materials



Further Options

- Frequency inverter for infinite adjustment of speed to the input material to be shredded and for reduction of start-up peaks
- Discharge screws for efficient discharge of output material
- Automatic central lubrication system
- "UNTHA Carefree package"



*) Valid for RS30

40 years of expertise

More than 8,000 shredders in daily operation!



shredding technology

The reliable brand!



UNTHA shredding technology

Moldanstraße 141

A-5431 Kuchl / Salzburg, Austria

Tel +43 6244 7016 0, Fax +43 6244 7016 1

info@untha.com

www.untha.com

Authorised partner of UNTHA